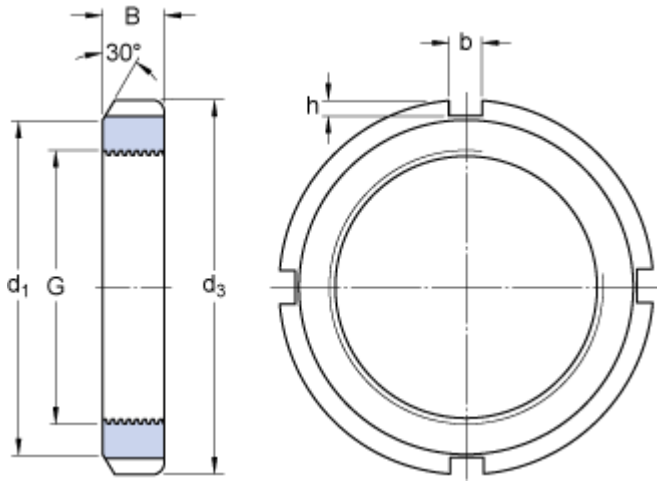


# HM 48 T

## Dimensions



G	Tr 240x4	
d <sub>3</sub>	300	mm
B	34	mm
d <sub>1</sub>	270	mm
b	20	mm
h	10	mm

## Mass

Mass lock nut	5.6	kg
---------------	-----	----

## Mounting information

Appropriate spanner	TMFN 40-52
---------------------	------------

## Appropriate products

Lock washer	MB 48
-------------	-------